

**EDGE™ SERIES**

# **VICTOR®** *Professional*



**NEW Edge™ Series Products:  
OUTFITS and REGULATORS**

- NOW Including ESS3 Models and More Edge Series Outfits
- User Friendly
- Advanced Design
- Outstanding Flow Performance
- Unsurpassed Safety

## Innovative NEW Edge™ Series Regulators

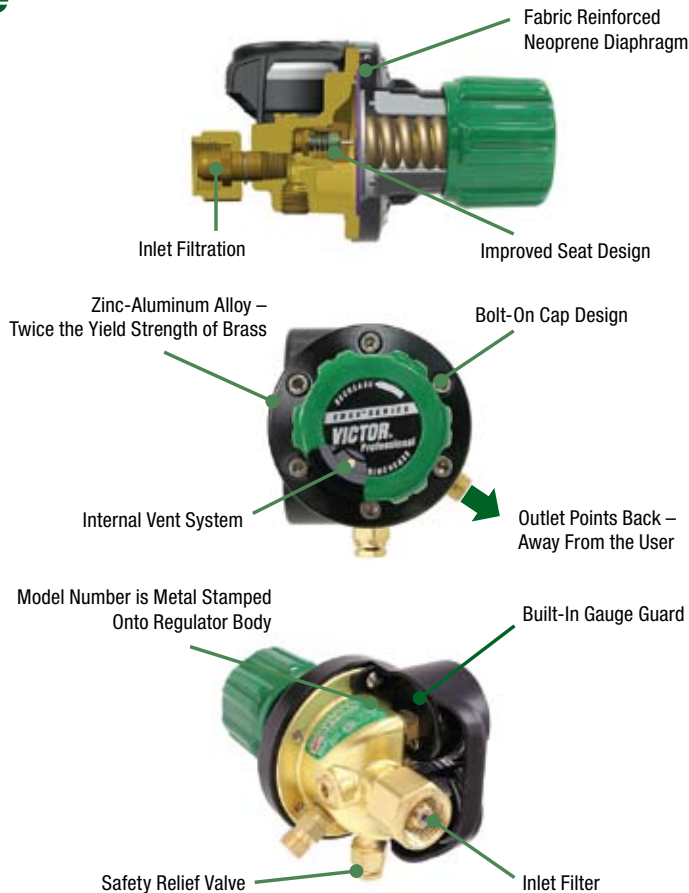
Victor® has been the leader in gas equipment since our humble beginnings. We were founded on the principle of offering the safest, most reliable and highest quality gas equipment in the business. With the Victor Professional Edge Series regulators, Victor has breathed new life into gas control technology, giving you more value for your purchase.

It's **easy to use**. The Edge Series regulators have gauges with enhanced graphics, color-coded knobs for quick gas identification, and offer better hand/body positioning while adjusting delivery pressure.

The **advanced design** makes them the smallest, lightest, most compact industrial regulators available on the market.

**Unsurpassed safety** – The Edge Series regulators pass the most stringent testing: ASTM G-175 promoted ignition test, all CGA E-4 compliance testing, Heated Oxygen Impact Test, and meet or exceed all requirements of UL 252.

**Outstanding flow performance** – Outperforming the competition, the Victor Professional Edge Series regulators offer a more consistent delivery over a wide range of cylinder pressures.



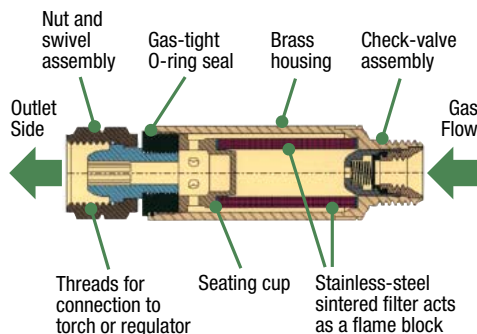
# The Vic Profess EDGE™ Story...

## Safety Accessories

### The Flashback Arrestor

PREVENTS FLASHBACK.

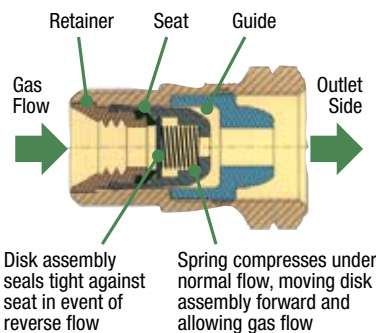
- Designed to prevent flashback from torch to hose
- For use with most oxy-fuel welding & cutting torches
- Greater flow than competitive models
- Built-in reverse flow check valves
- Available in torch and regulator models



### The Check Valve

PREVENTS THE REVERSE FLOW OF GASES.

- Help prevent gases from traveling back into the fuel supply or Oxygen system, creating a mixed gas condition
- Available in torch and regulator models
- Will not stop a flashback alone
- Single and pair packs



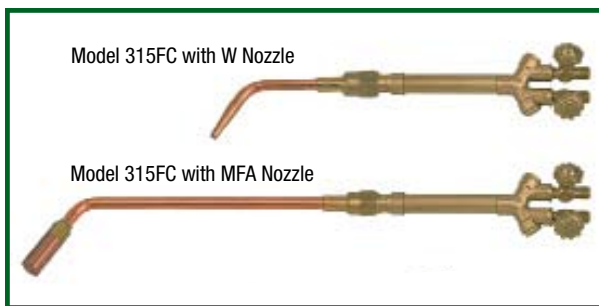
**Victor®  
Professional  
Series**



**All NEW  
Edge Series  
Outfits Come  
with the  
Edge Series  
Regulators**



## Nozzles



### Compact balanced attachments:

For welding, cutting or heating. Each torch handle is designed for optimal balance and feel with its own nozzles and attachments. With proper balance of length and weight, operator fatigue is minimized.

## Cutting Tips

### Victor® Professional and CutSkill® Tips:

Available in a variety of types and sizes for any of your applications. **Color-coded packaging for appropriate gases (Victor exclusive).** Our tips will meet all of your cutting requirements, guaranteed.

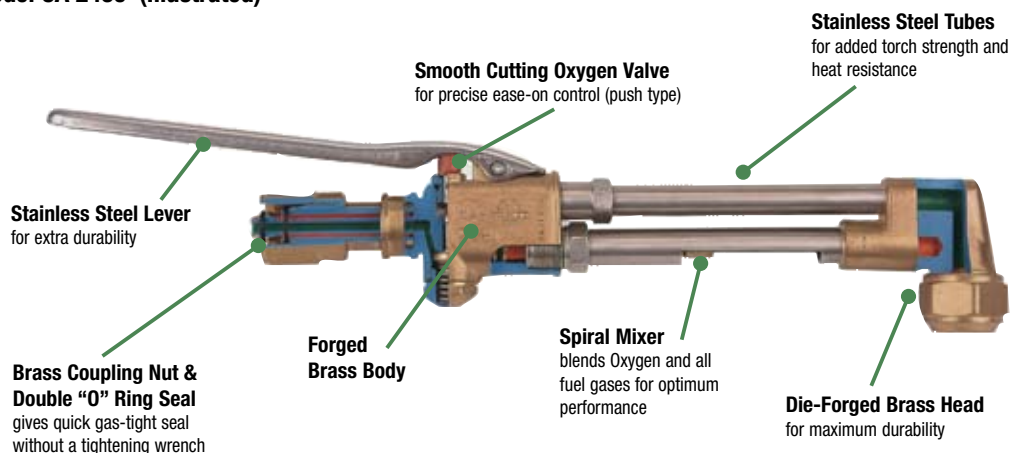


Acetylene	Red
Propylene	Orange
Natural Gas	Blue
Propane	Blue

## Quality Torch Handles and Cutting Attachments

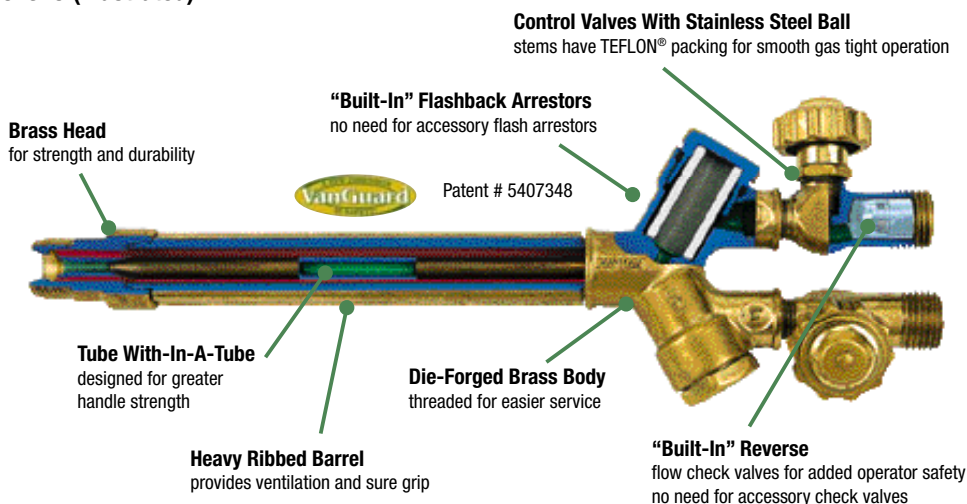
### Torch Handle Design and Construction

#### Model CA 2460 (Illustrated)



### Cutting Attachment Design and Construction

#### Model 315FC (Illustrated)



### Rugged, Efficient Design - Threaded Assembly for Ease of Service

**Victor® torch handles give you twice the value.**

Each torch handle is designed and built to withstand rugged job site conditions. In case of damage, Victor's threaded assembly design lets you replace parts quickly and economically.

**Performance proven Tube-Within-A-Tube design.**

Victor torch handles include one Oxygen tube within a massive, heavy ribbed handle which also serves as the gas tube. The result is greater strength and durability plus a reduction in overall size and weight for ease of operation.

**Victor Professional Products Come with a Standard 5 Year Warranty.**

# EDGE™ Series Outfits

# VICTOR® Professional

## Journeyman®

This heavy duty outfit cuts up to 3/4" (19.1mm) or 8" (203.2mm) with optional tips. It welds up to 1/2" (12.7mm) or 3" (76.2mm) with optional nozzles.

- ESS4 Series Regulators
- H 315FC Torch Handle with Built-in Flashback Arrestors & Check Valves
- CA 2460 Cutting Attachment
- W Welding Nozzles, Sizes: 1, 3, 5
- MFA Heating Nozzle, Size: 8
- 1-1-101 Cutting Tip
- T-grade Hose 20' x 1/4" (6.1m x 6.4mm)
- Striker and Tip Cleaner
- Soft-sided Shade 5 Goggles



## Journeyman II

This heavy duty outfit cuts up to 3/4" (19.1mm) or 8" (203.2mm) with optional tips. It welds up to 1/8" (3.2mm) or 3" (76.2mm) with optional nozzles.

- ESS4 Series Regulators
- 315FC Torch Handle with Built-in Flashback Arrestors & Check Valves
- CA 2460 Cutting Attachment
- W Welding Nozzle, Size: 2
- 1-1-101 Cutting Tip
- T-grade Hose 20' x 1/4" (6.1m x 6.4mm)
- Striker and Tip Cleaner
- Soft-sided Shade 5 Goggles



## Contender®

This heavy duty outfit cuts up to 3/4" (19.1mm) or 8" (203.2mm) with optional tips. It welds up to 3" (76.2mm) with optional nozzles.

- ESS3 Series Regulators
- 315FC Torch Handle with Built-in Flashback Arrestors & Check Valves
- CA 2460 Cutting Attachment
- MFA Heating Nozzle, Size: 6
- 1-1-101 Cutting Tip
- T-grade Hose 20' x 1/4" (6.1m x 6.4mm)
- Striker



## Contender AF

This heavy duty outfit is capable of cutting up to 8" (204mm) with the appropriate cutting tip.

- ESS3 Series Regulators
- 315FC Torch Handle with Built-in Flashback Arrestors & Check Valves
- CA 2460 Cutting Attachment
- Type 55 Heating Nozzle, Size: 8
- 1-1-GPN Cutting Tip
- T-grade Hose 20' x 1/4" (6.1m x 6.4mm)
- Striker



## Performer®

This medium duty outfit cuts up to 1/2" (12.7mm) or 6" (152.4mm) with optional tips. It welds up to 1/4" (6.4mm) or 1.25" (31.8mm) with optional nozzles.

- ESS3 Series Regulators
- 100FC Torch Handle with Built-in Flashback Arrestors & Check Valves
- CA 1350 Cutting Attachment
- W-1 Welding Nozzle, Size: 0
- 0-3-101 Cutting Tip
- T-grade Hose 12.5' x 3/16" (3.8m x 4.8mm)
- Striker and Tip Cleaner
- Soft-sided Shade 5 Goggles



## Ordering Information

Part No.	Description	Torch Handle	Cutting Attachment	Welding Nozzle	Cutting Tip	Heating Nozzle	Oxygen Regulator	Fuel Gas Regulator
0384-2035	Journeyman – Edge Series	H 315FC	CA 2460	(W) 1,3,5	1-1-101	8-MFA	ESS4-125-540	ESS4-15-300
0384-2036	Journeyman – Edge Series	H 315FC	CA 2460	(W) 1,3,5	1-1-101	8-MFA	ESS4-125-540	ESS4-15-510
0384-2040	Journeyman II – Edge Series	315FC	CA 2460	(W) 2	1-1-101	-	ESS4-125-540	ESS4-15-300
0384-2041	Journeyman II – Edge Series	315FC	CA 2460	(W) 2	1-1-101	-	ESS4-125-540	ESS4-15-510
0384-2050	Contender – Edge Series	315FC	CA 2460	-	1-1-101	6-MFA	ESS3-125-540	ESS3-15-510
0384-2051	Contender – Edge Series	315FC	CA 2460	-	1-1-101	6-MFA	ESS3-125-540	ESS3-15-300
0384-2052	Contender AF – Edge Series	315FC	CA 2460	-	1-1-GPN	8-55	ESS3-125-540	ESS3-40-510LP
0384-2045	Performer – Edge Series	100FC	CA 1350	(W-1) 0	0-3-101	-	ESS3-125-540	ESS3-15-510
0384-2046	Performer – Edge Series	100FC	CA 1350	(W-1) 0	0-3-101	-	ESS3-125-540	ESS3-15-300

## EDGE™ Series Regulators

**VICTOR**  
Professional
ESS4 & ESS3  
Regulators

Yellow ..... Air  
 Red ..... Acetylene  
 Green ..... Oxygen  
 Black ..... Inert Gas  
 Grey ..... Carbon Dioxide  
 Orange ..... LPG  
 Blue ..... Nitrous Oxide\*

\*Available Summer 2010 in ESS3 model only.

## Ordering Information

## ESS4 Heavy Duty Edge Series Regulators

Series	Type	Capacity	Pressure (PSIG)	CGA	Gas Type	Model Number	Part Number
Edge	SS	4	125	346	Air	ESS4-125-346	0781-5142
Edge	SS	4	200	346	Air	ESS4-200-346	0781-5145
Edge	SS	4	15	510	Acetylene	ESS4-15-510	0781-5132
Edge	SS	4	15	300	Acetylene	ESS4-15-300	0781-5133
Edge	SS	4	15	410	Acetylene	ESS4-15-410	0781-5140
Edge	SS	4	125	350	Hydrogen/Methane	ESS4-125-350	0781-5137
Edge	SS	4	200	350	Hydrogen/Methane	ESS4-200-350	0781-5138
Edge	SS	4	125	540	Oxygen	ESS4-125-540	0781-5127
Edge	SS	4	125	296	Industrial Oxidizing Mixtures	ESS4-125-296	0781-5130
Edge	SS	4	125	580	Inert (Nitrogen, Argon, Helium)	ESS4-125-580	0781-5143
Edge	SS	4	200	580	Inert (Nitrogen, Argon, Helium)	ESS4-200-580	0781-5144
Edge	SS	4	125	590	Industrial Air	ESS4-125-590	0781-5146
Edge	SS	4	200	320	Carbon Dioxide	ESS4-200-320	0781-5147
Edge	SS	4	40	510	LPG	ESS4-40-510LP	0781-5135
Edge	SS	4	125	510	LPG	ESS4-125-510LP	0781-5136

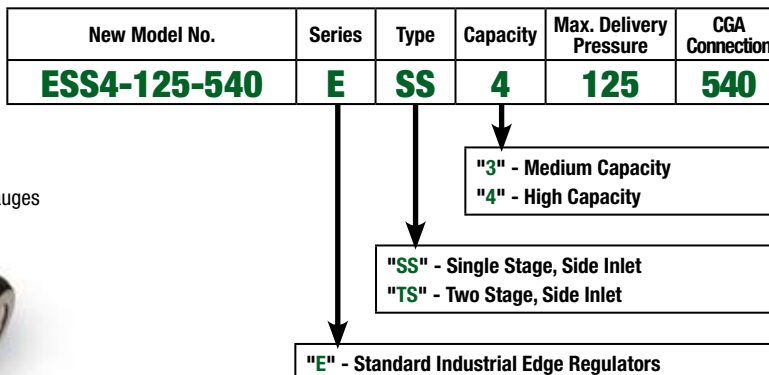
## ESS3 Medium Duty Edge Series Regulators

Edge	SS	3	15	510	Acetylene	ESS3-15-510	0781-5105
Edge	SS	3	15	300	Acetylene	ESS3-15-300	0781-5106
Edge	SS	3	125	540	Oxygen	ESS3-125-540	0781-5100
Edge	SS	3	125	580	Inert (Nitrogen, Argon, Helium)	ESS3-125-580	0781-5116
Edge	SS	3	40	510	LPG	ESS3-40-510LP	0781-5108

## ESS3 Medium Duty Edge Series Flow Gauges

Edge	SS	3	40 (SCFH)	580	Argon	ESS3-FG-580	0781-5120
Edge	SS	3	40 (SCFH)	320	Carbon Dioxide	ESS3-FG-320	0781-5119

## Model Numbering Explanation

ESS3  
Flow Gauges

U.S. Customer Care: 800-426-1888 / FAX 800-535-0557 • Canada Customer Care: 905-827-4515 / FAX 800-588-1714  
 International Customer Care: 940-381-1212 / FAX 940-483-8178 • [www.victorequip.com](http://www.victorequip.com)

**THERMADYNE**  
 WORLD HEADQUARTERS: 16052 Swingley Ridge Road, Suite 300 • St. Louis, Missouri 63017 U.S.A.

A Global Cutting &amp; Welding Market Leader™